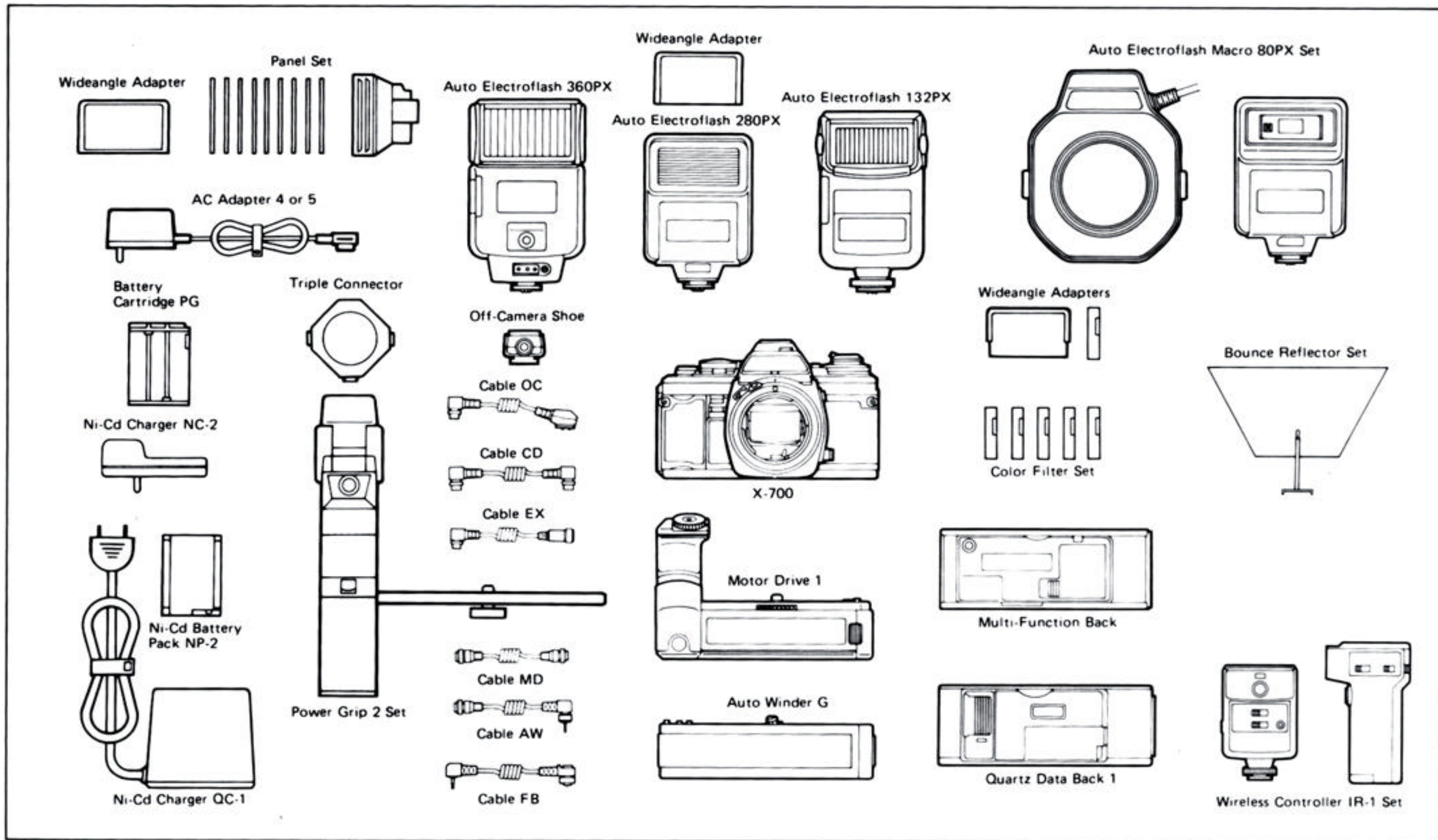


# ACCESSORIES (Minolta Program System)



See system guidebook in camera box for lenses and other accessories.